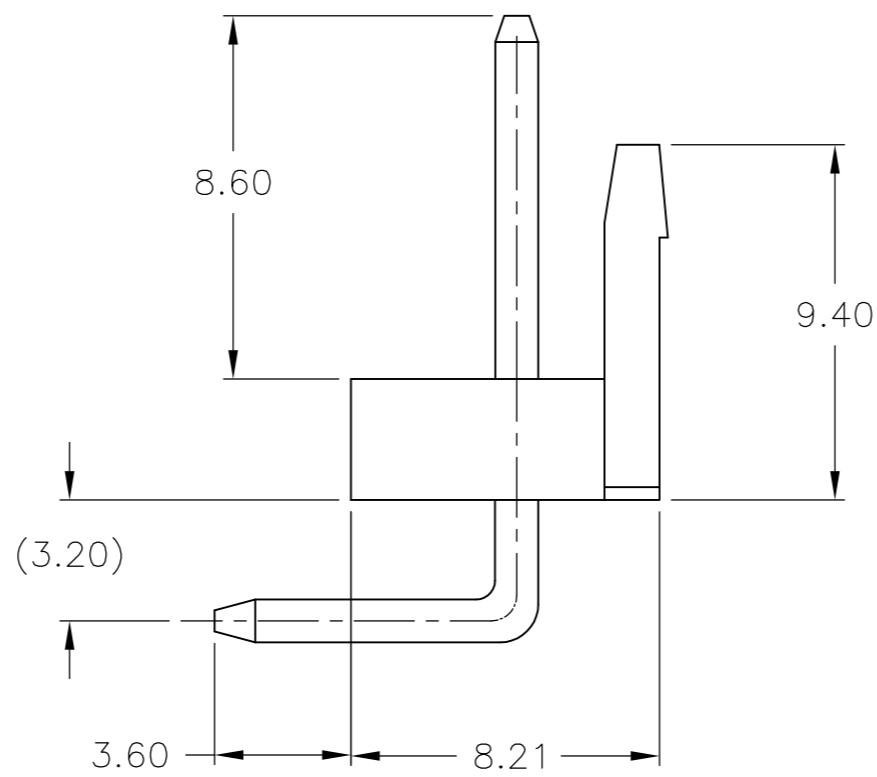
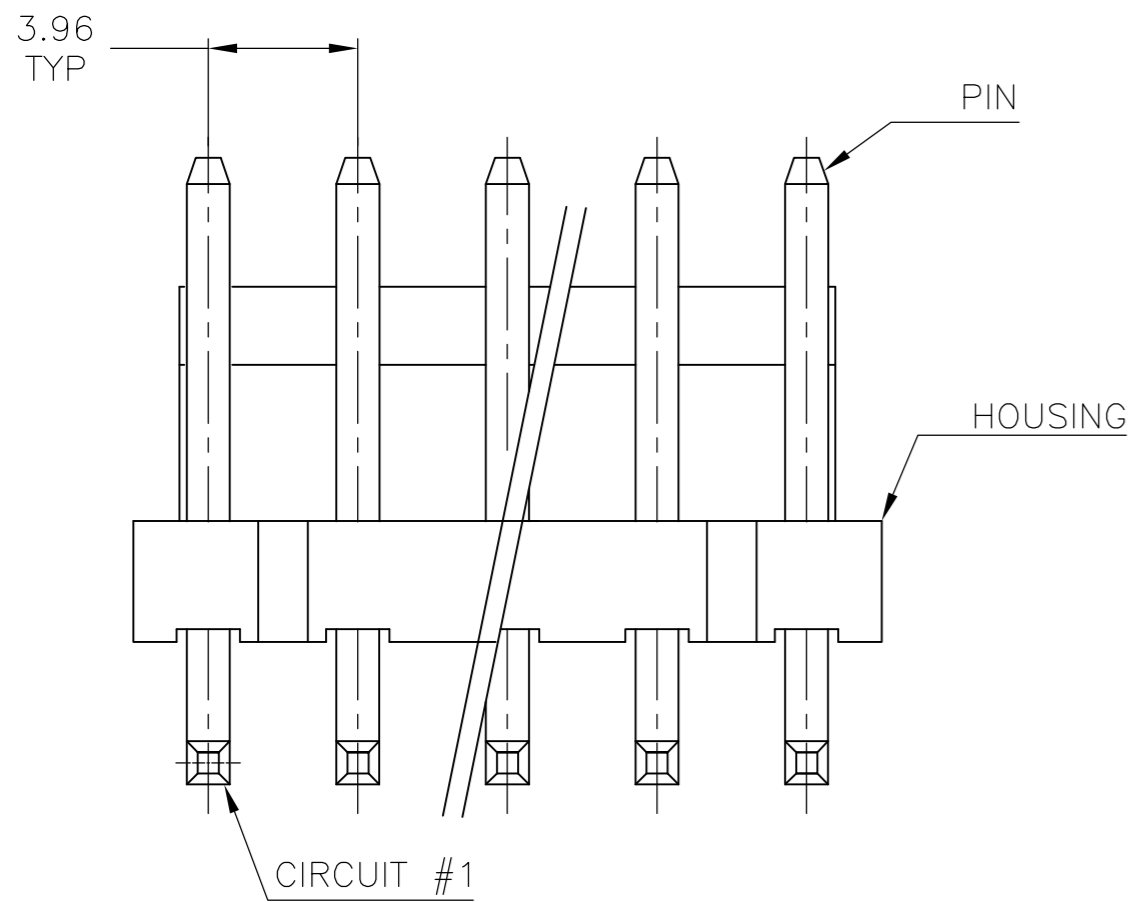
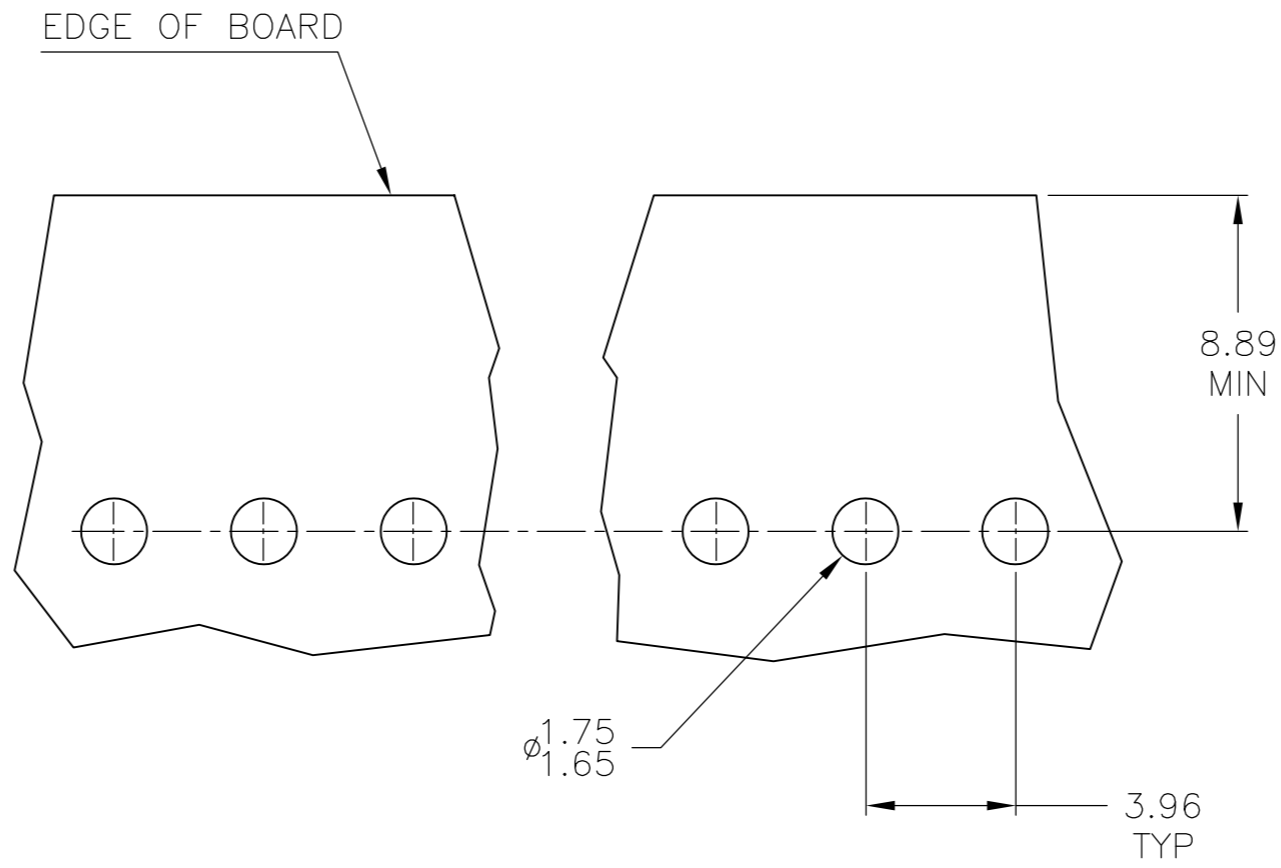
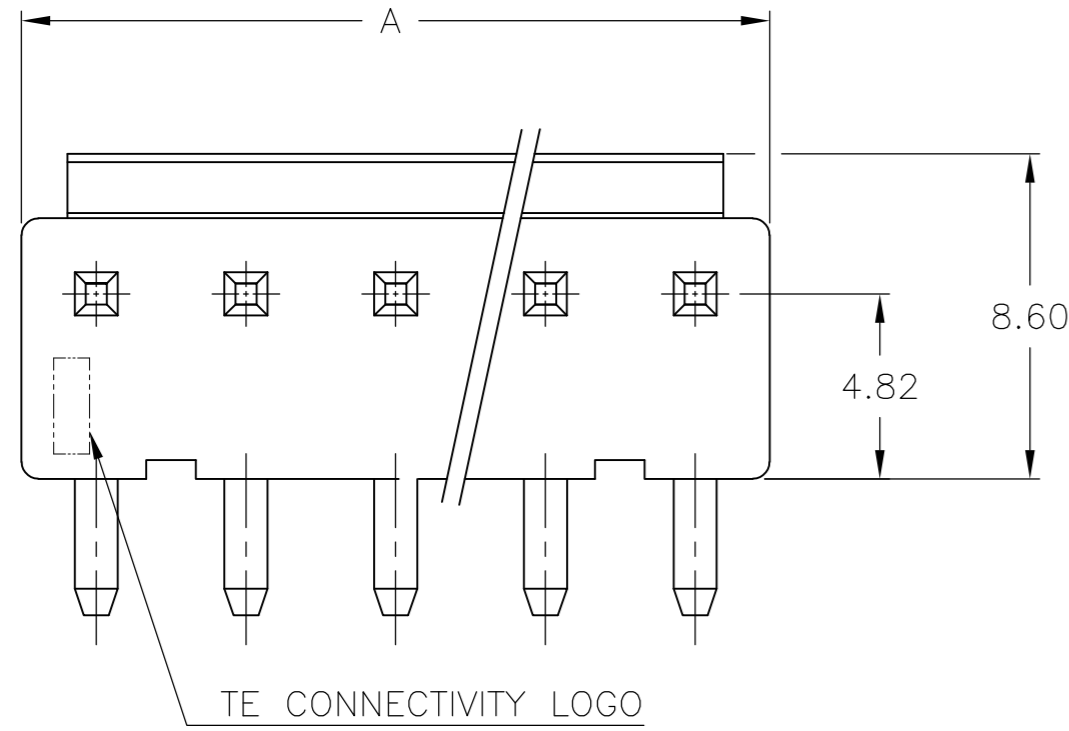


THIS DRAWING IS UNPUBLISHED. RELEASED FOR PUBLICATION
 © COPYRIGHT - By - ALL RIGHTS RESERVED.

LOC		DIST		REVISIONS			
P	LTR	DESCRIPTION		DATE	DWN	APVD	
CM	00	D		REVISED PER ECR-14-010430	13OCT2014	NK	TM

- MATERIAL :
HOUSING : NYLON, UL94-V0
PIN : BRASS.
- FINISH:
PIN : 80u" MIN. TIN PLATED ON CONTACT AREA.
- COMPLY WITH GLOW WIRE REQUIREMENTS FOR PARTS OF NON-METALLIC MATERIAL SUPPORTING A CURRENT-CARRYING CONNECTION DETAILED IN IEC 60335-1, SECTION 30(GWT)



47.52	12	1-1744428-2
43.56	11	1-1744428-1
39.60	10	1-1744428-0
35.64	9	1744428-9
31.68	8	1744428-8
27.72	7	1744428-7
23.76	6	1744428-6
19.80	5	1744428-5
15.84	4	1744428-4
11.88	3	1744428-3
7.92	2	1744428-2
DIM. A CIRCUITS		PART NUMBER

THIS DRAWING IS A CONTROLLED DOCUMENT.		DWN	JR RUTH	09JAN12	 TE Connectivity	
DIMENSIONS:		CHK	SAM MACE	09JAN12		
mm		APVD	SAM MACE	09JAN12		
TOLERANCES UNLESS OTHERWISE SPECIFIED:		PRODUCT SPEC	108-5609			
0 PLC ± - 1 PLC ± - 2 PLC ± 0.20 3 PLC ± - 4 PLC ± - ANGLES ± 30'		APPLICATION SPEC	-		NAME	ASSEMBLY, EP HEADER, RIGHT ANGLE
MATERIAL	-	WEIGHT	-	-	SIZE	A2
FINISH	-	CUSTOMER DRAWING	SCALE 5:1		CAGE CODE	00779
		SCALE 5:1		SHEET	1 of 1	
				REV	D	